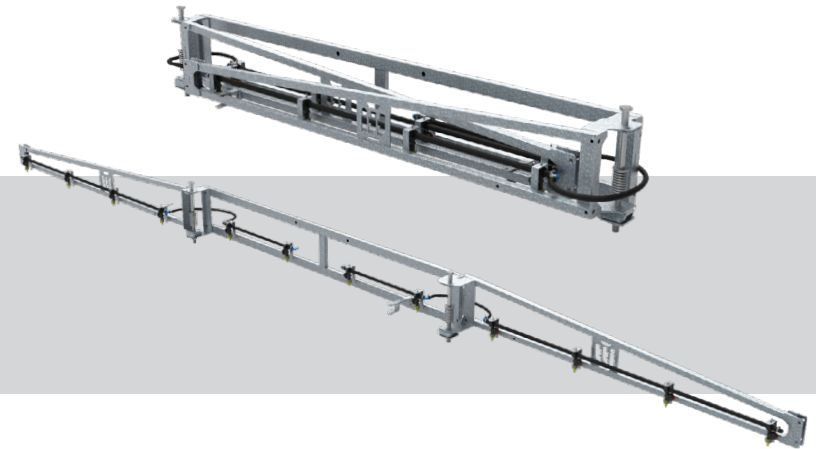


Compact 6m Spray Boom

SKU: ABM060

6m galvanised steel boom has inbuilt nozzle protection and comes spring loaded for heavy-duty breakaway, designed to be easily fitted to your existing sprayer, as well as adjustable. The boom comes standard with quality TeeJet air induction nozzles, providing even and reliable spraying. The flat-fold design keeps the centre of gravity low, minimising stress on both the boom and the sprayer

- » Strong 6m hot-dip galvanised steel boom
- » Spring loaded heavy-duty breakaway
- » Nozzles mounted behind boom to protect from damage
- » Non-drip nozzle bodies
- » 110° Low drift nozzles fitted
- » Quick connect nozzle caps
- » Very easy to fold/unfold for spraying and traveling positions
- » Spring-loaded breakaway with nozzle protection
- » Non-drip nozzle bodies with Teejet AIXR Air Induction spray tips
- » Easy to mount onto your existing sprayer!



SPECIFICATIONS

Weight	38kg
Dimensions (L W H)	5752 x 198 x 381mm